

# Product leaflet

Product	Model No.	Ordering No.
Full face mask	SR 200, PC visor	H01-1221
Air Purifying Respirator (APR)	SR 200, glass visor	H01-1321

## Product Description

The SR 200 full face mask is an Air Purifying Respirator (APR) made of silicone and is produced in one size that will fit most face sizes. The mask is equipped with three inhalation valves and two exhalation valves, and the breathing resistance is therefore very low. The exhalation valve covers with baffles effectively protect the valves and membranes against dust and paint mist. The design and location of the exhalation valves improve the scope available for communicating. The material and pigments of the mask body are FDA- and BGA approved for exposure to provisions, which minimizes the risk of contact allergies. The easily adjustable elastic head harness of the mask is secured to the visor frame and to the exhalation valves which, together with a large crown plate, contributes towards a comfortable and secure fit. The spherical visor of the mask is made of scratch-resistant polycarbonate, which provides a large field of vision. The mask can be used either as a filtering device in combination with filters and/or cartridges from the Sundström APR range of filters, or in combination with the SR 307 compressed air attachment, this combination is called a Type C Continuous Flow Supplied Air Respirator (SAR).

Holder for pre-filter, carrier strap and test disc for simple face-fit test are included. Best stored in storage box SR 344.

## Technical specification

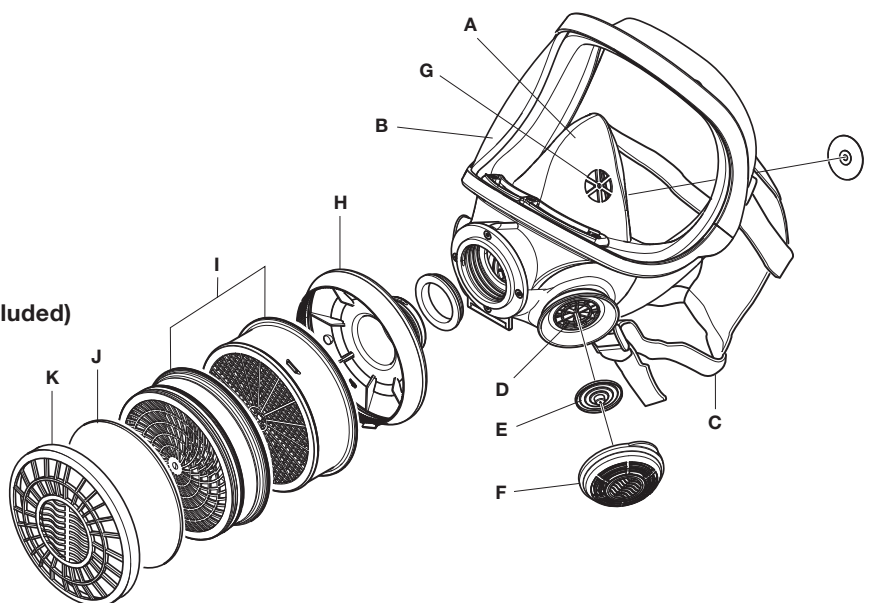
	SR 200	42 CFR part 84
Protection factor <sup>1)</sup>	50	-
Inhalation resistance <sup>2)</sup> at 85 l/min	≈ 13.5 MM H <sub>2</sub> O (133 Pa)	≤ 35 MM H <sub>2</sub> O (343 Pa)
Inhalation resistance <sup>3)</sup> at 85 l/min	≈ 25.9 MM H <sub>2</sub> O (254 Pa)	≤ 40 MM H <sub>2</sub> O (393 Pa)
Exhalation resistance at 85 l/min	≈ 3.4 MM H <sub>2</sub> O (33 Pa)	≤ 25 MM H <sub>2</sub> O (245 Pa)
Service temperature	14 to 131 °F (-10 to +55 °C), < 90 % RH	-
Storage temperature	4 to 104 °F (-20 to +40 °C), < 90 % RH	-
Weight	≈ 15.9 oz (450 g)	-
Impact test with 6 mm dia. steel ball against visor	120 m/s	-
Approvals	NIOSH 42 CFR part 84	-

1) Specified by OSHA and applies generally to all Full Face mask Air Purifying Respirators (APR) when the employer implements a continuing, effective respirator program as required by this section (29 CFR 1910.134).

2) With Particulate filter SR 510 P100.

3) With Chemical Cartridge SR 232.

- A. Mask body
- B. Visor, PC or glass
- C. Head harness
- D. Exhalation valve seat
- E. Exhalation membrane
- F. Protective cap
- G. Inhalation valve
- H. Filter adapter
- I. Particulate filter and Chemical Cartridge (not included)
- J. Pre-filter (not included)
- K. Pre-filter holder



### Sundstrom Safety Inc.

20 North Blossom St.  
East Providence, RI 02914

Office: 1-401-434-7300  
Toll Free: 1-877-SUNDSTROM  
Fax: 1-401-434-8300

info@srsafety.com  
www.srsafety.com

Öã dã c'ã Ó  
QZÓÁc'!} æã } æÁQ&  
ÚUÁÓI c'Á JI ÁÓÁT [ c'ÁÓ ÁÍ HFÉ  
Ì €€Ì GEGHÁÁFJÈÌ Ì ÈÌ G  
æÁGFJÈÌ Ì ÈÌ G  
•æ^•O æ&ã dÈÈ { ÁÁ , , Èæ&ã dÈÈ {

**Sundström**   
www.srsafety.com