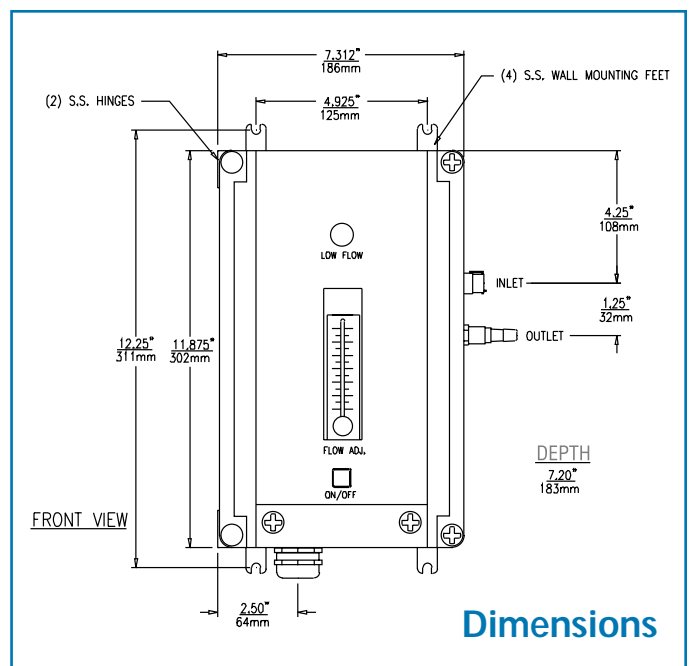


Series A21

Introduction

The model A21 is a gas sample pumping system designed to draw samples from ducts or hard to access locations and deliver the samples to gas sensors located in a more convenient area. A21 Sampling Systems use a high quality diaphragm pump operated by a brushless DC motor to provide continuous sampling over long periods of time. Sampling pumps are rated for over 10,000 hours of continuous operation and diaphragms in the pump may be changed easily if necessary. The pump will draw samples against a vacuum of up to 10" Hg. for sampling negative pressure duct systems when necessary.

In addition to the sampling pump, A21 systems contain various components needed to insure reliable sample measurement. A flowmeter mounted on the front panel allows the user to adjust the sample flowrate to the desired value, normally around 500 cc./min. Internal to the system is a loss of flow detector that will warn of sampling system problems that could compromise the gas measurement system. A loss of flow alarm light on the front panel provides local flow loss indication while an internal relay can be used to indicate this alarm remotely.



Features

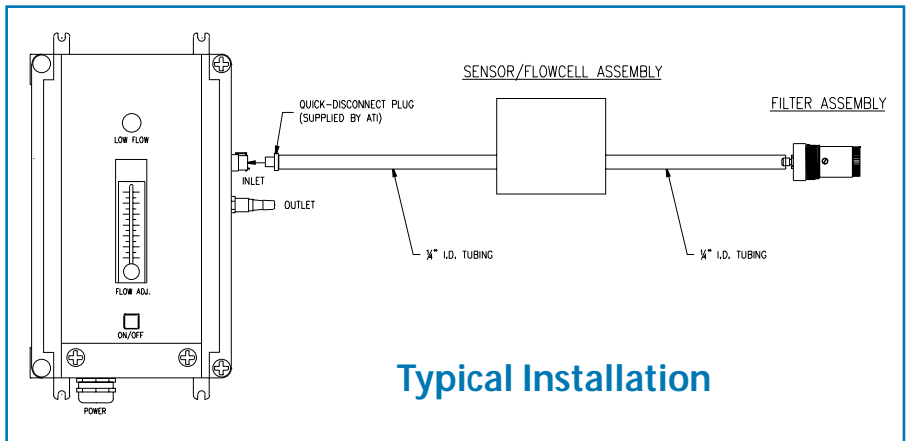
- Integrated Sampling System
- Standard Loss of Flow Alarm
- Variable Flowrate Adjustment
- AC or 12 VDC Systems Available
- NEMA 4X Enclosure

Series A21

Gas Sample Pumping System

Installation

Monitoring gas levels using a sample draw system requires that the installation be done carefully and that the nature of the target gas be considered. In general, it is best to locate the gas sensor on the vacuum (inlet) side of the sample system. This insures that the gas sample will be measured before contacting pump or flow detection components that might affect gas concentration. This is especially important when sampling for reactive gases such as chlorine, sulfur dioxide, or acid gases.



Typical Installation

The type of tubing used on the portion of the sampling system between the sample point and the inlet port of the gas sensor is another important consideration. Reactive gases require the use of Teflon or other fluorocarbon tubing, while non-reactive gases can be sampled using flexible PVC tubing. Sampling from gas streams saturated with moisture may require heated sample tubing, and the effect of condensation on the gas sensor must be carefully evaluated.

For fastest response, gas sample lines between the sample point and the inlet to the gas sensor should be kept as short as possible. Sample transport time depends on the internal diameter of the sampling tube used as shown below. Values are based on a flowrate of 500 cc./min.

1/8 inch I.D. (3 mm) tubing	29 seconds per 100 feet
3/16 inch I.D. (5 mm) tubing	65 seconds per 100 feet
1/4 inch I.D. (6 mm) tubing	116 seconds per 100 feet

Specifications

Power:	85-265 VAC, 50/60 Hz., 1A or 12VDC, 1A max.
Pump:	12 VDC powered diaphragm type, brushless motor rated 10,000 hours
Flowrate:	Adjustable, 300 - 1000 cc./min., 500 cc./minute recommended
Inlet:	Quick disconnect hose barb fitting for 1/4" I.D. flexible tubing
Outlet:	Hose barb for 1/4" I.D. flexible tubing
Pump Rating:	Maximum 10" Hg. Vacuum on inlet or 4 PSIG pressure on outlet for 500 cc/min.
Alarms:	Low Flow alarm lamp on front panel SPDT alarm relay for low flow for remote indication SPDT power fail relay located on DC power supply (AC version only)
Enclosure:	NEMA 4X Fiberglass with clear polycarbonate window
Temperature:	Operating: -10° to +45° C Storage: -25° to +55° C
Accessories:	1 - Quick disconnect inlet fitting 1 - 25 ft. length of PVC tubing
Options:	Inlet filter assembly with package of 10 replacement inlet filters

Ordering Information

00-0676	Complete AC powered gas sampling System
00-0852	Complete DC powered gas sampling System
00-0703	Inlet filter assembly



Analytical Technology, Inc.
6 Iron Bridge Drive
Collegeville, PA 19426
Phone: 610/917-0991
Toll-Free: 800/959-0299
Fax: 610/917-0992
E-Mail: sales@analyticaltechnology.com
Web: www.analyticaltechnology.com

ATI (UK) Limited
Bank Chambers, 33 Stamford Street
Mossley, Aston-u-Lyne OL5 0LL
Phone: +44 (0) 1457 832800
Fax: +44 (0) 1457 83950
E-Mail: sales@atiuk.com

Represented By: AFC International Inc
PO Box 894
DeMotte IN 46310
800.952.3293
219.987.6825
fax 219.987.6826
www.afcintl.com
sales@afcintl.com