

Product leaflet

Product
Compressed air filter

Model No.
SR 99

Ordering No.
H03-2612

Product Description

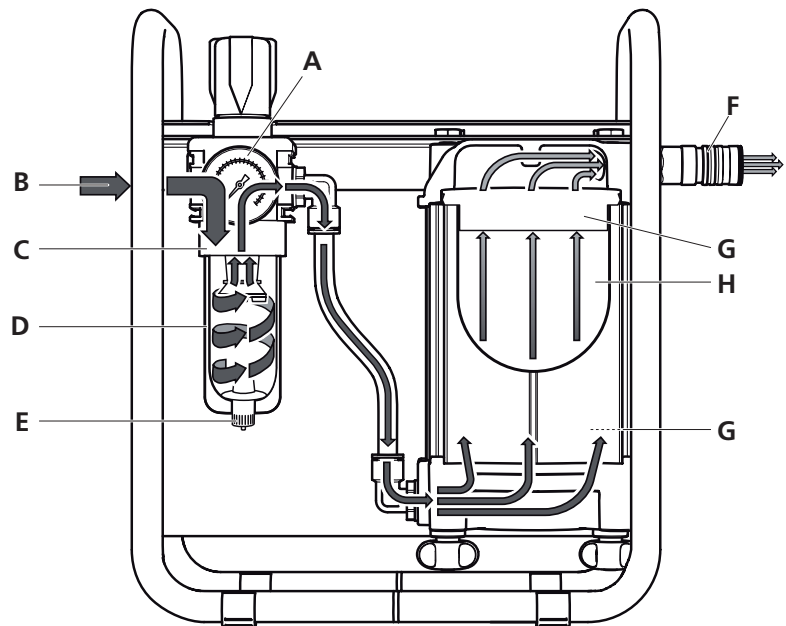
The SR 99 compressed air filter is used for producing clean breathing air from ordinary compressed air. The unit consists of a regulator (C), pre-collector (D) and main filter (SR 292), all of which are mounted in an enclosing steel sheet stand. The unit can be placed on the floor or mounted on a wall. The pre-filter, which has a pressure-controlled/manual drain, collects coarse particles, water and oil. The SR 292 main filter consists of a carbon filter part, surrounded by two P100 particulate filters. The air is cleaned to remove any remaining particles/gases/vapours/odours. A Y coupling that increases the number of outlets is available as accessory.

Technical specification

SR 99

Inlet connection	1/2" BSP
Inlet pressure	87-145 PSI (6-10 bar)
Outlet connections	One safety coupling and one plugged opening
Flow rate	≈ 32 CFM (900 l/min)
Filter area P100	≈ 2,600 cm ²
Activated carbon	≈ 1.1 lbs (500 g)

- A. Pressure gauge
- B. Inlet
- C. Regulating valve
- D. Pre-collector
- E. Drain
- F. Outlet
- G. Particulate filter
- H. Activated carbon



Öä d ä ~ c' a' Ä ~
 ÖÖÄÖ c' i' } æä } æÄ &
 ÚUÁÖi c' Ä JI ÁÖ^T [c' ÄD Á Î HF€
 Ì €ÈÌ GÈHGJHÁG FJÈÌ Ì ÈÌ G
 æÄGFJÈÌ Ì ÈÌ G
 • æÄ • Ö æ&ä dÈ [ÁÄ , , Èæ&ä dÈ [}

Sundstrom Safety Inc.
 20 North Blossom St.
 East Providence, RI 02914
 Office: 1-401-434-7300
 Toll Free: 1-877-SUNDSTROM
 Fax: 1-401-434-8300
 info@srsafety.com
 www.srsafety.com

Sundström 
 www.srsafety.com